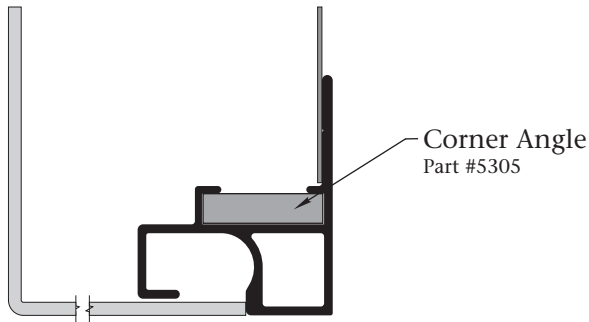
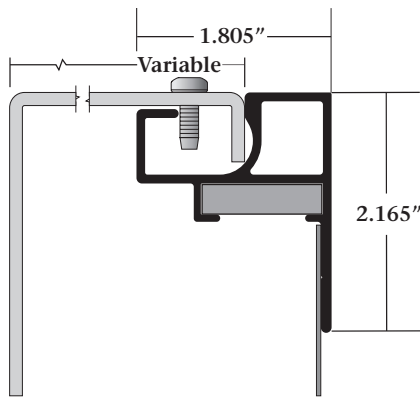
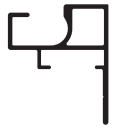




# NEW PRODUCT UPDATE: Flat Wall Mount Retro Body

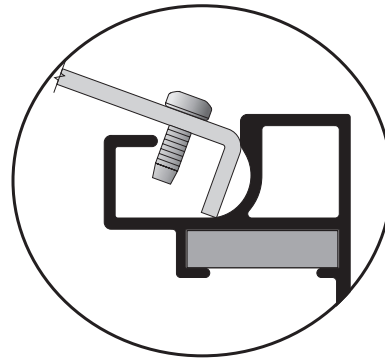
April 2013

Part Number	Part	Length	Finish
2042	Flat Wall Mount Retro Body	24'-6"	Mill

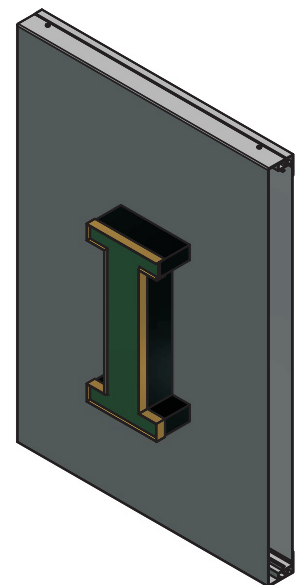
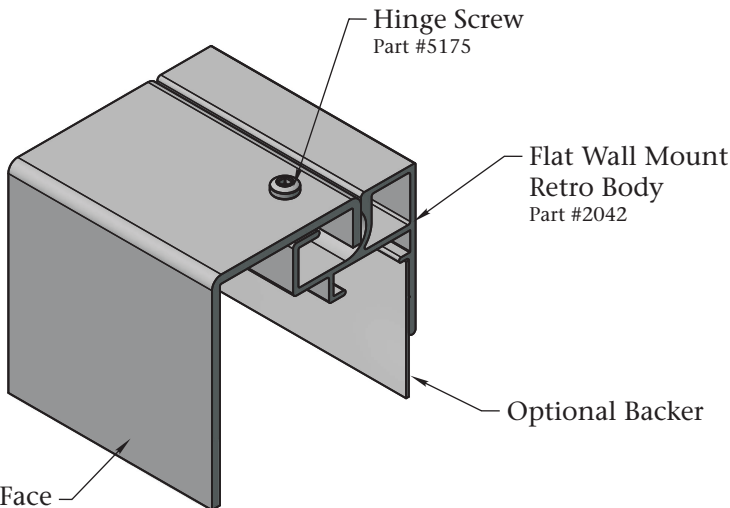


## Features & Benefits

- Allows for hinged access to service.
- Creates new mounting surface for channel letters.
- Covers existing wall blemishes.
- Ability to customize height, width, and depth.
- Accommodates multiple panels for longer applications.



Hinging capability for easy access



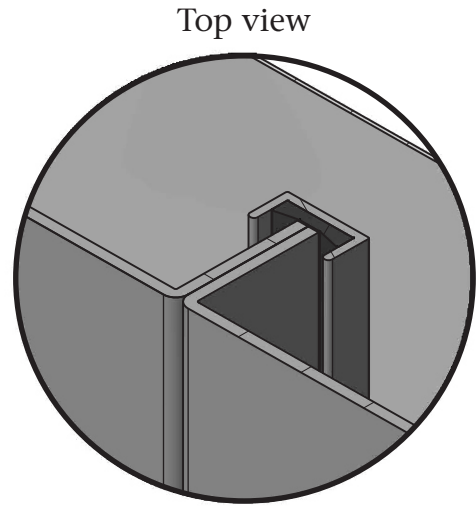
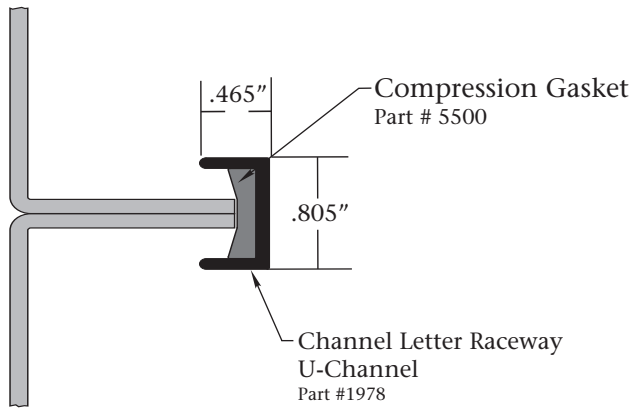
Patent Pending



# NEW PRODUCT UPDATE: Channel Letter Raceway U-Channel

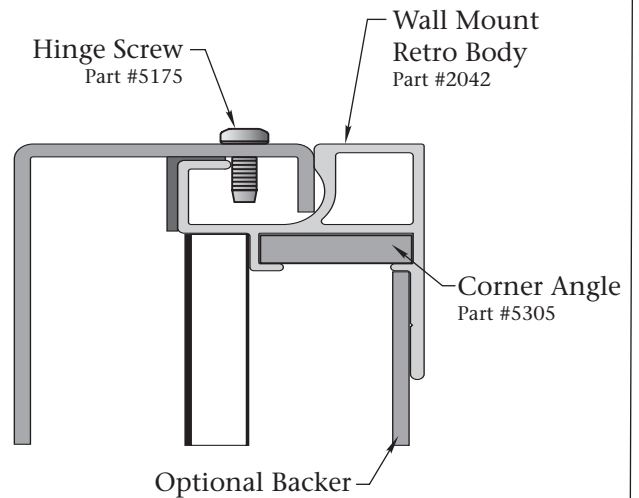
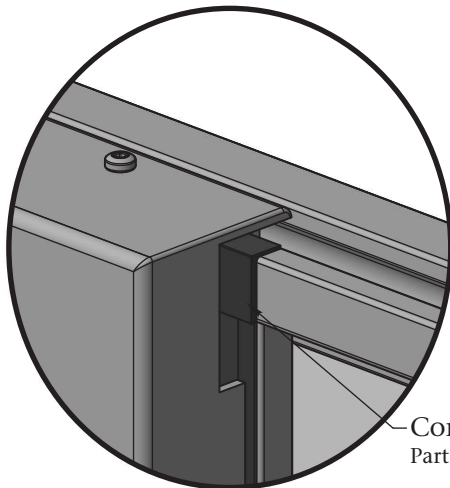
April 2013

Part Number	Part	Length	Finish
1978	Channel Letter Raceway U-Channel	12'-2"	Mill



## Features & Benefits

- Accommodates multiple panels for longer applications.
- Designed for use with the Wall Mount Retro Body, **Part #2042**.
- Self sealing to promote water exclusion.
- No caulking required.



**Patent Pending**